

**DECO**  
**PD61418**  
PENDANTS

PROJECT



PD61418-SM/BN  
Smoked/Brushed  
Nickel



PD61418-CL/BG  
Clear/Brushed Gold



PD61418-CL/BK  
Clear/Black

**SPECIFICATION DETAILS**

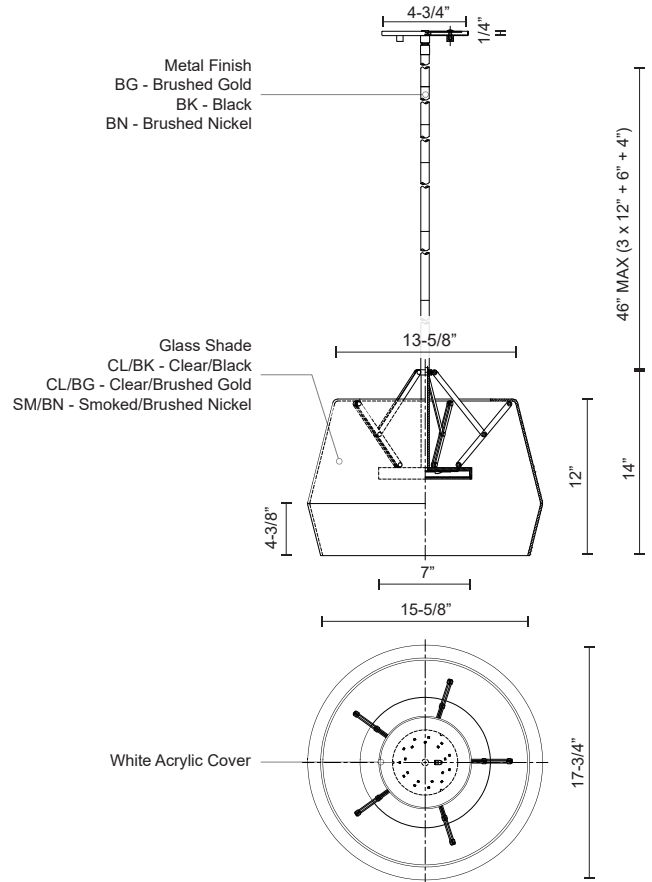
<b>Fixture Dimensions</b>	D17-3/4" x H14"
<b>Light Source</b>	AC LED Module
<b>Wattage</b>	32W
<b>Total Lumens</b>	2500lm
<b>Delivered Lumens</b>	CL/BG - 1618lm*
<b>Voltage</b>	120V
<b>Color Temperature</b>	3000K
<b>CRI (Ra)</b>	90CRI
<b>Optional Color Temps</b>	2700K - 5000K Available, Minimum Order Quantities Apply
<b>LED Rated Life</b>	50,000 hours
<b>Dimming</b>	100% - 10%, ELV Dimmer (Not Included)
<b>Diffuser Details</b>	White Acrylic Diffuser
<b>Shade Details</b>	Clear Glass Shade
<b>Adjustable</b>	Yes
<b>Rod Length</b>	46" Max (3x12" + 1x6" + 1x4")
<b>Product Adaptor</b>	ADP002 (Sold Separately)
<b>Location</b>	Dry
<b>Canopy Dimensions</b>	D4-3/4" x H1/4"
<b>Paint Finish</b>	BG01; BK01; BN01;

\* For custom options, consult factory for details.

\* For warranty information, please visit [www.kuzcolighting.com/warranty](http://www.kuzcolighting.com/warranty)

**DESCRIPTION**

Inspired by vintage instruments and expanding lightweight structures the Deco line is a marriage of the new and old. The LED light source is encapsulated within a slim metal disk which appears to float at the center of the geometric glass shade. Multiple thin metal points support the glass which can be easily removed for installation or cleaning. Fine brushed finishes complement the distinguished aesthetic and gracefully contrast the contemporary shade.



**KUZCO**

CANADA: 19054 28TH AVENUE - SURREY, BC V3Z 6M3  
USA: 3035 E. LONE MOUNTAIN ROAD - LAS VEGAS, NV 89081

[WWW.KUZCOLIGHTING.COM](http://WWW.KUZCOLIGHTING.COM)

© 2018 KUZCO LIGHTING. ALL RIGHTS RESERVED.

**COMMENT**

